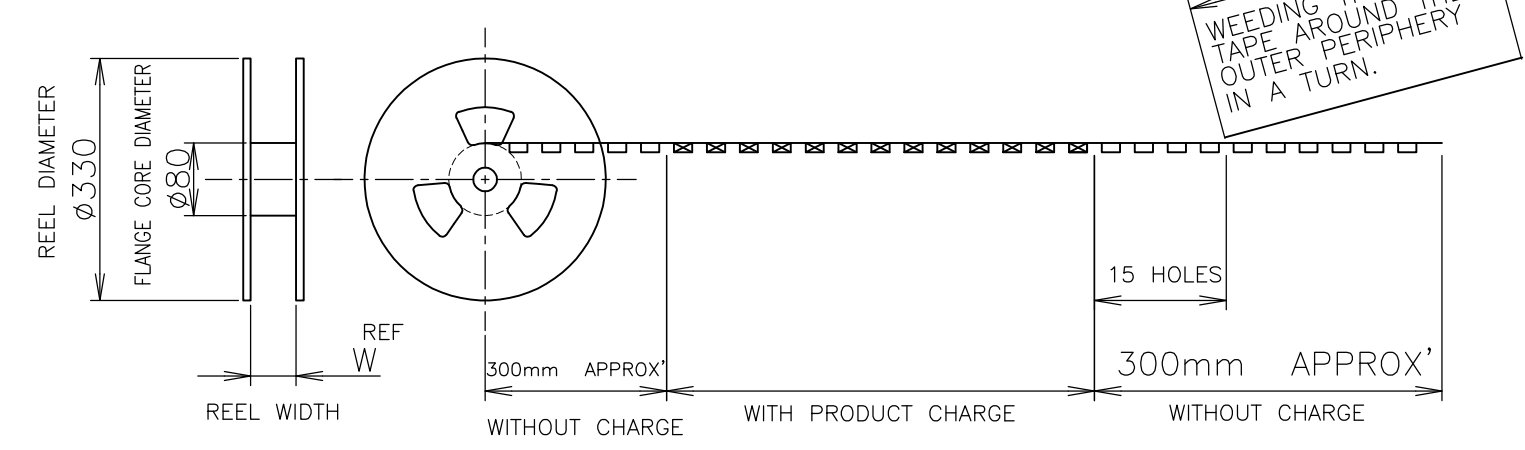
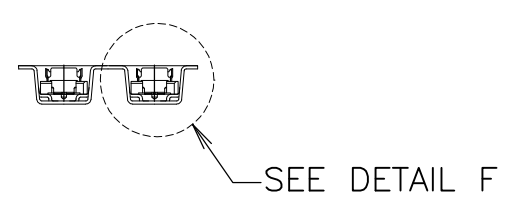
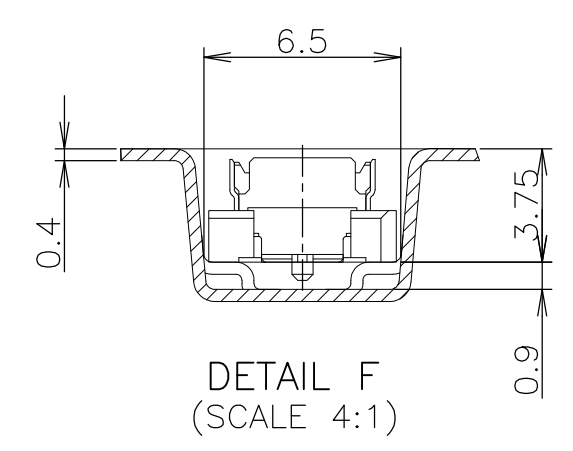
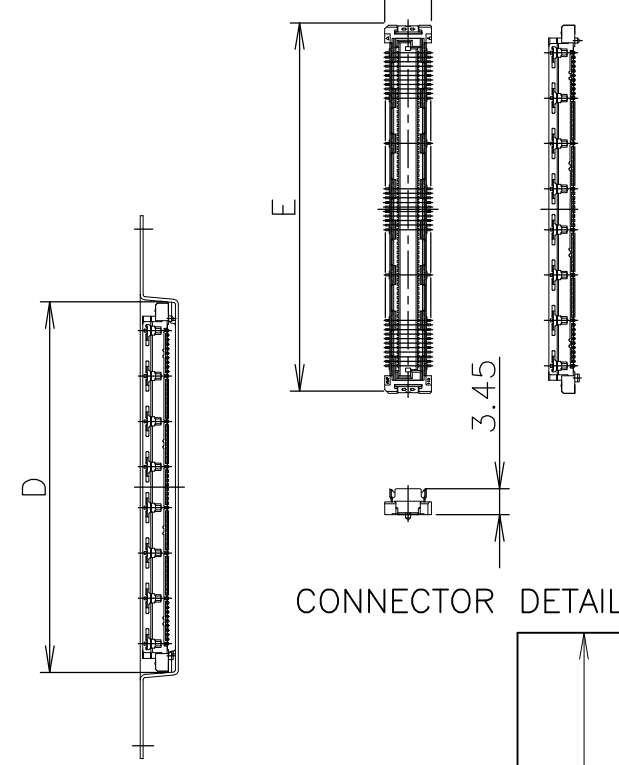
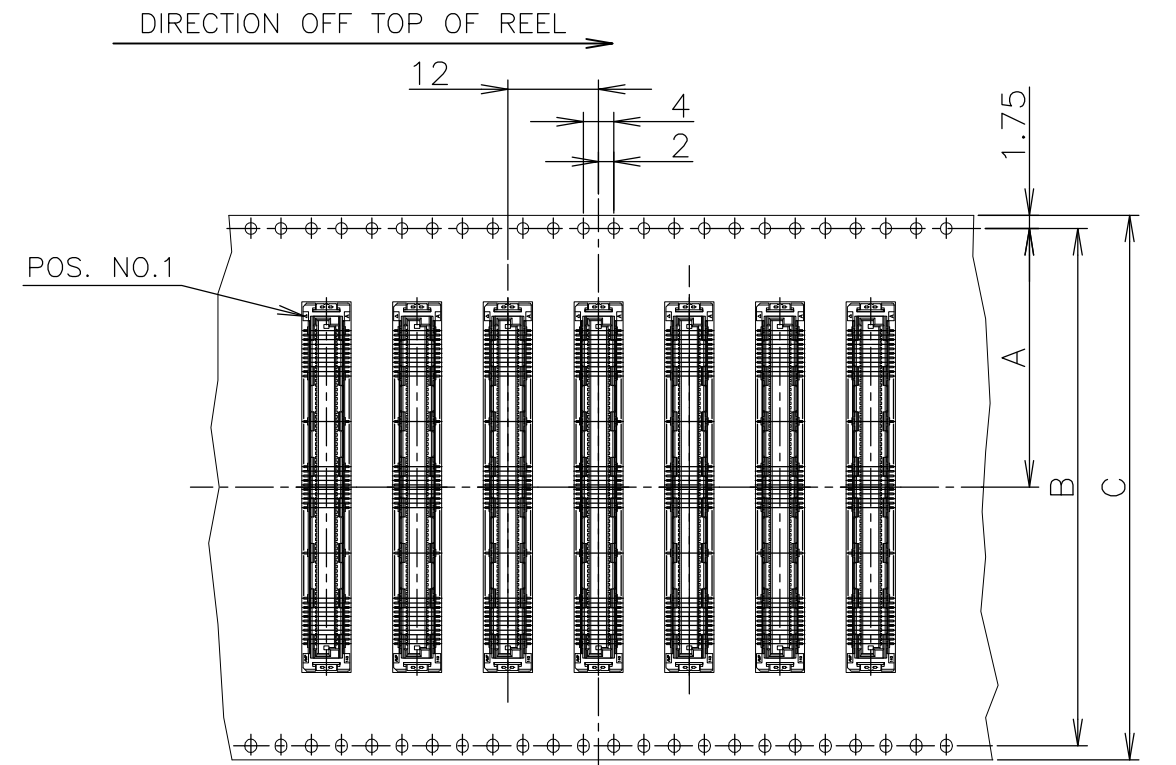


THIS DRAWING IS UNPUBLISHED. RELEASED FOR PUBLICATION FEB ,1995.  
 © COPYRIGHT 1995 BY TYCO ELECTRONICS CORPORATION. ALL RIGHTS RESERVED.

LOC	DIST	REVISIONS			DATE	DWN	APVD
J	/	P	LTR	DESCRIPTION			
		B		REVISED ECR-08-000339	01FEB08	T.T	T.F



SEALANT	TOOLING STATUS	QTY.	FINISH	W	E	D	C	B	A	POS.	PART NO.
NOT AVAILABLE		1000	△	77.5	54.7	55	72	68.4	34.2	160	6-5353184-1
AVAILABLE			↑	77.5	48.7	49	72	68.4	34.2	140	6- -0
NOT AVAILABLE				61.5	42.7	43	56	52.4	26.2	120	5- -9
↑				61.5	36.7	37	56	52.4	26.2	100	5- -8
↑				61.5	33.7	34	56	52.4	26.2	90	5- -7
NOT AVAILABLE				49.5	30.7	31	44	40.4	20.2	80	5- -6
AVAILABLE				49.5	27.7	28	44	40.4	20.2	70	5- -5
NOT AVAILABLE				49.5	24.7	25	44	40.4	20.2	60	5- -4
AVAILABLE				37.5	21.7	22	32	28.4	14.2	50	5- -3
NOT AVAILABLE				37.5	18.7	19	32	28.4	14.2	40	5- -2
NOT AVAILABLE	1000		△	29.5	15.7	16	24	11.5		30	5-5353184-1
AVAILABLE	1000		△	61.5	36.7	37	56	52.4	26.2	100	3-5353184-8
NOT AVAILABLE	1000		△	77.5	54.7	55	72	68.4	34.2	160	1-5353184-1
AVAILABLE			↑	77.5	48.7	49	72	68.4	34.2	140	1- -0
NOT AVAILABLE				61.5	42.7	43	56	52.4	26.2	120	-9
AVAILABLE				61.5	36.7	37	56	52.4	26.2	100	-8
NOT AVAILABLE				61.5	33.7	34	56	52.4	26.2	90	-7
NOT AVAILABLE				49.5	30.7	31	44	40.4	20.2	80	-6
AVAILABLE				49.5	27.7	28	44	40.4	20.2	70	-5
↑				49.5	24.7	25	44	40.4	20.2	60	-4
AVAILABLE				37.5	21.7	22	32	28.4	14.2	50	-3
NOT AVAILABLE				37.5	18.7	19	32	28.4	14.2	40	-2
NOT AVAILABLE	1000		△	29.5	15.7	16	24	11.5		30	5353184-1

THIS DRAWING IS A CONTROLLED DOCUMENT.

DWN HAWKING HE 08DEC04  
 CHK STEVEN YAO 08DEC04  
 APVD I.ENOMOTO 08DEC04

NAME 名称 I.ENOMOTO  
 PRODUCT SPEC 製品規格 108-60047  
 APPLICATION SPEC 取付適用規格 114-5255

Tyco Electronics Corporation  
 Kawasaki, Japan

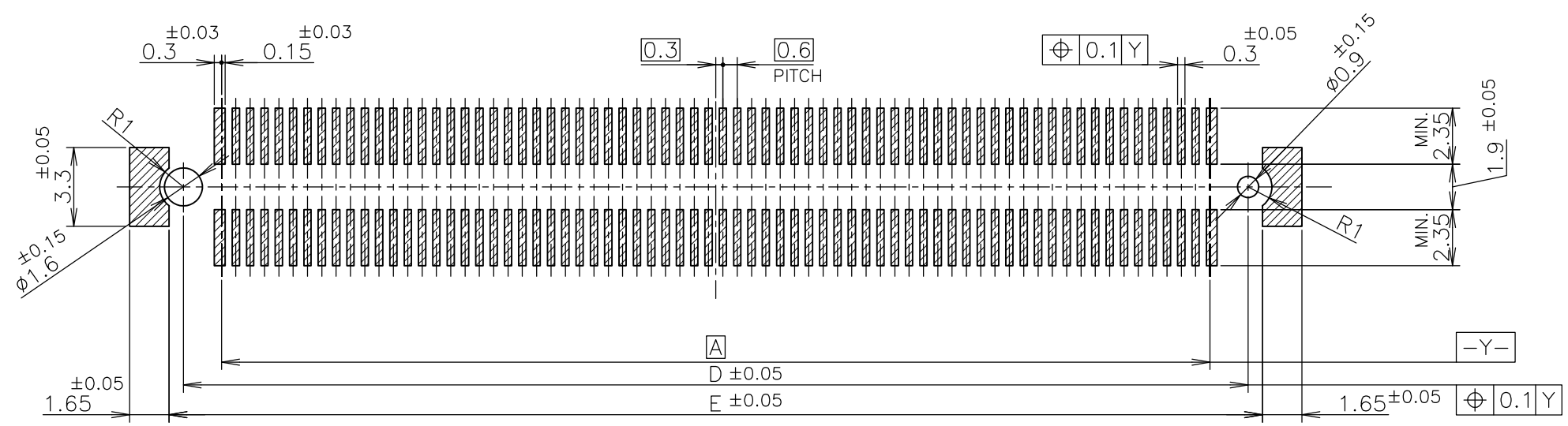
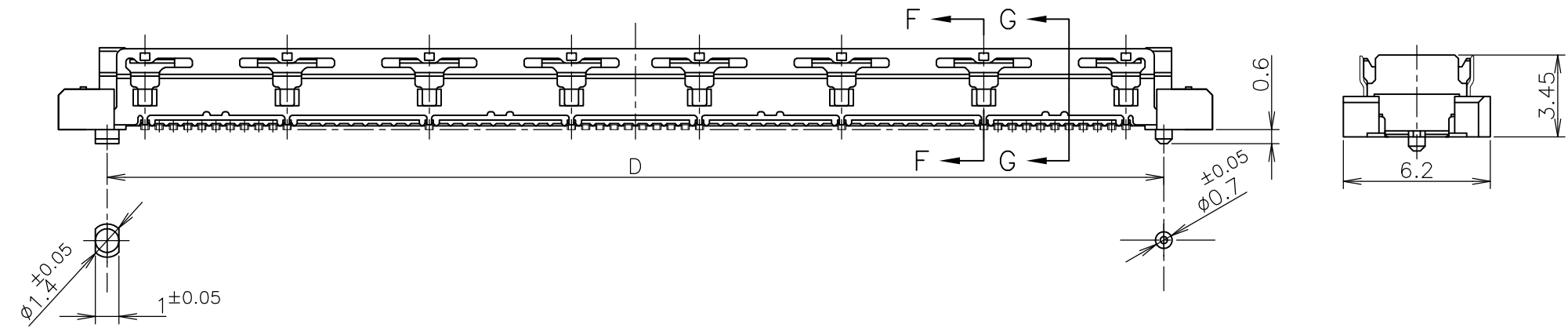
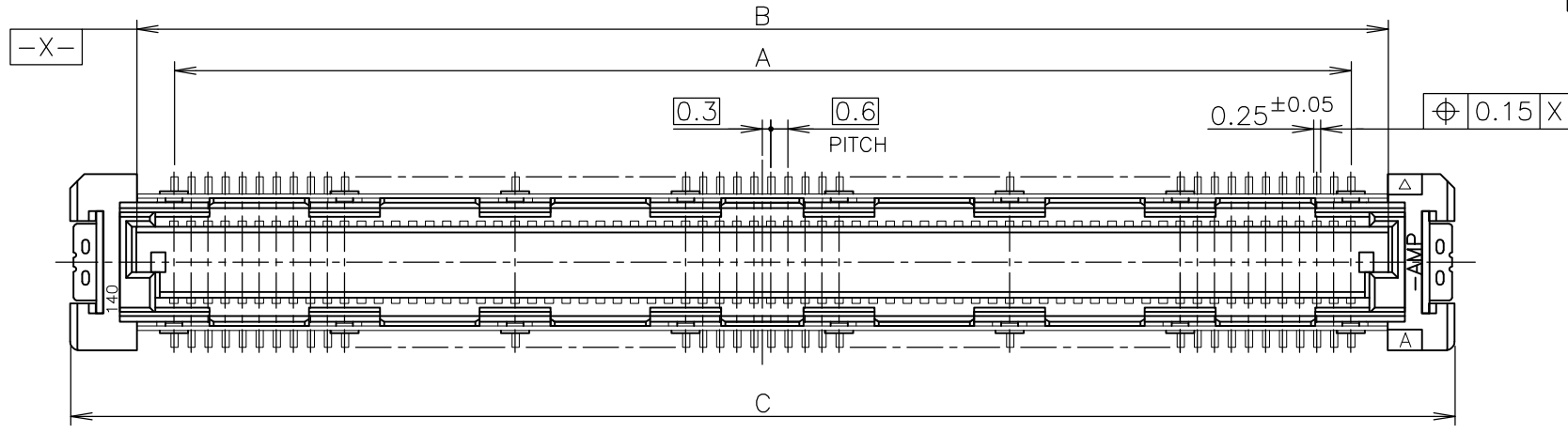
EMBOSS ASSY  
 FH 0.6BTB CONNECTOR  
 PLUG 4H WITH G-PLATE

SIZE A3 CAGE CODE 00779 DRAWING NO. G-5353184 RESTRICTED TO 番号  
 WEIGHT

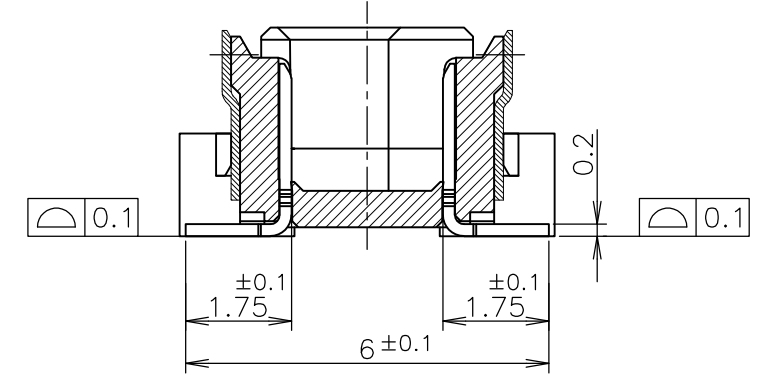
CUSTOMER DRAWING SCALE 尺度 1:1 SHEET 1 OF 3 REV B

THIS DRAWING IS UNPUBLISHED. RELEASED FOR PUBLICATION FEB ,1995.  
 © COPYRIGHT 1995 BY TYCO ELECTRONICS CORPORATION. ALL RIGHTS RESERVED.

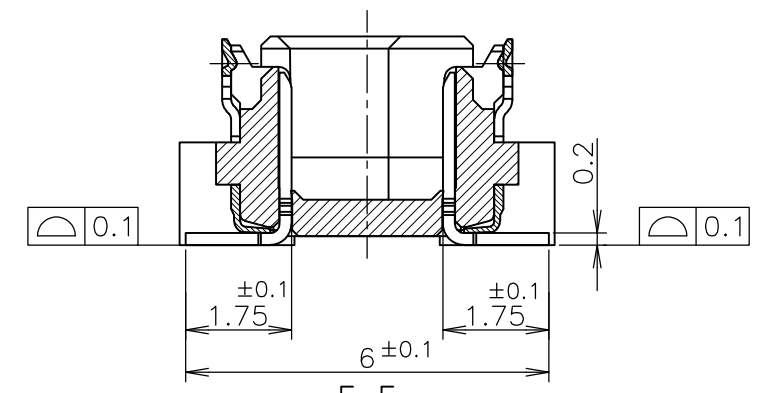
LOC	DIST	REVISIONS		
J	/	P	LTR	DESCRIPTION
				DATE
				DWN
				APVD
		SEE SHEET 1		



REFERENCE P.C. BOARD LAYOUT



G-G  
(SIGNAL POSITION)  
(SCALE 8:1)



F-F  
(GROUND POSITION)  
(SCALE 8:1)

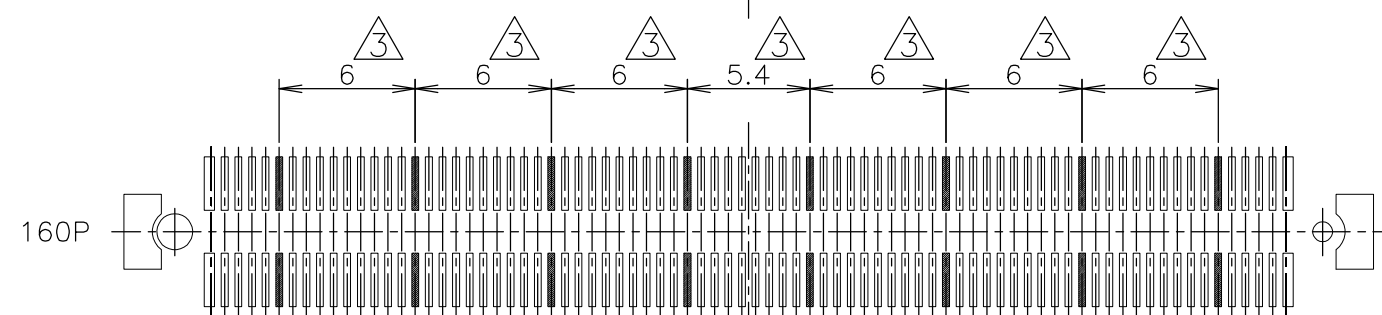
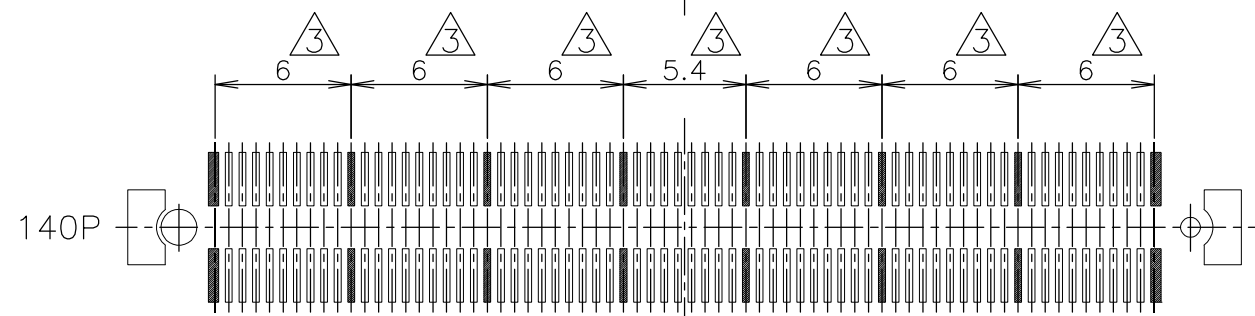
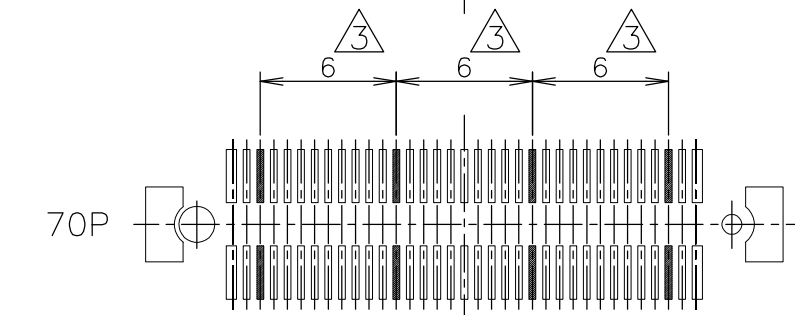
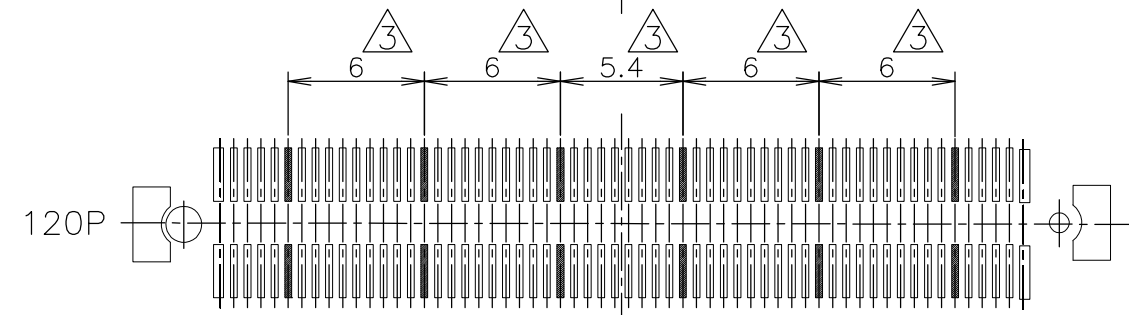
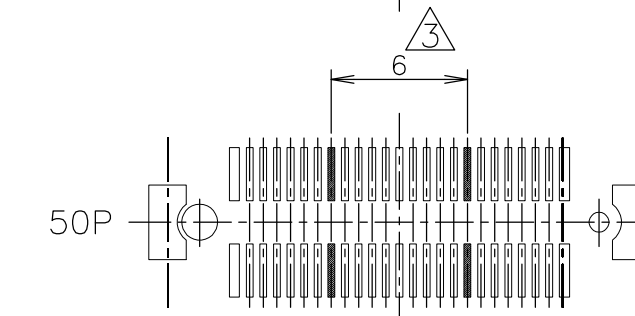
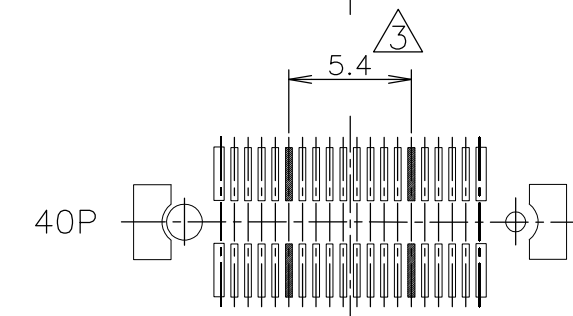
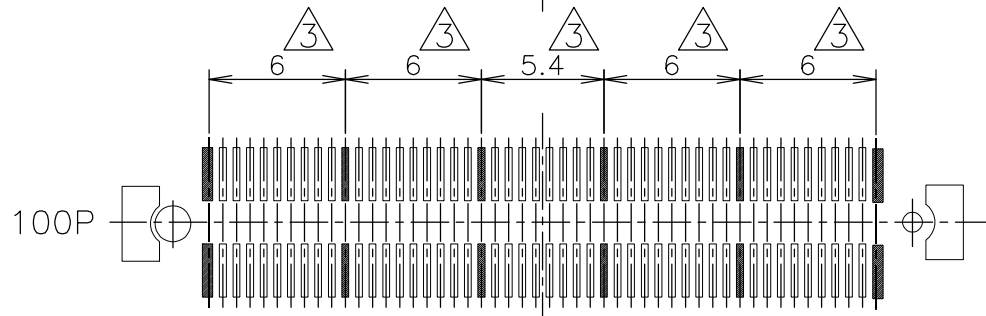
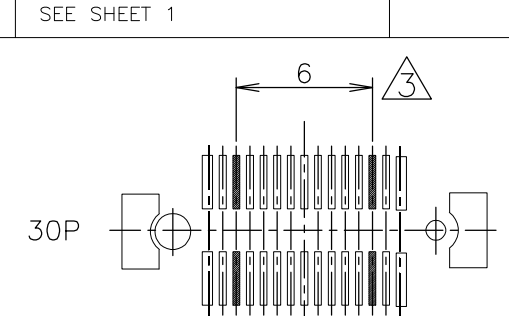
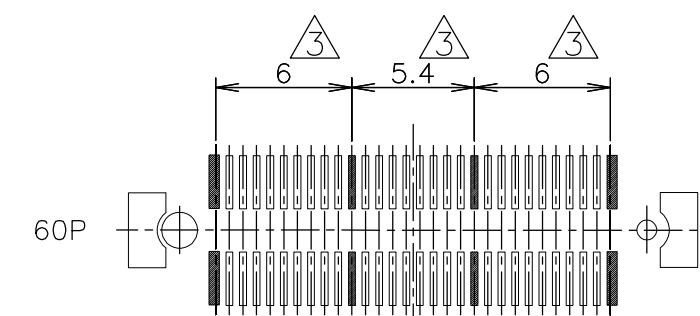
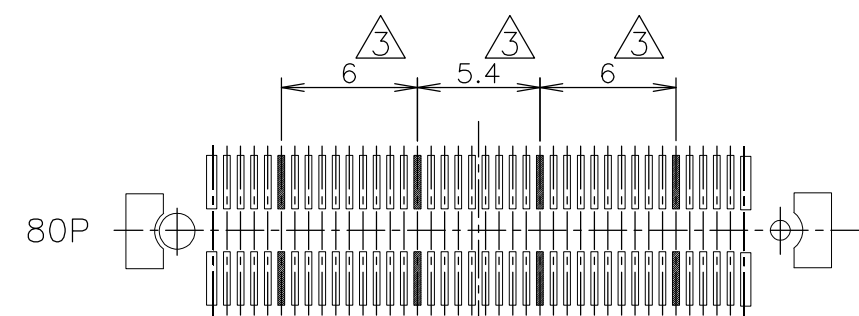
AVAILABLE	51.8	50.6	54.7	50	47.4	160
AVAILABLE	45.8	44.6	48.7	44	41.4	140
NOT AVAILABLE	39.8	38.6	42.7	38	35.4	120
AVAILABLE	33.8	32.6	36.7	32	29.4	100
NOT AVAILABLE	30.8	29.6	33.7	29	26.4	90
NOT AVAILABLE	27.8	26.6	30.7	26	23.4	80
AVAILABLE	24.8	23.6	27.7	23	20.4	70
AVAILABLE	21.8	20.6	24.7	20	17.4	60
AVAILABLE	18.8	17.6	21.7	17	14.4	50
NOT AVAILABLE	15.8	14.6	18.7	14	11.4	40
NOT AVAILABLE	12.8	11.6	15.7	11	8.4	30
TOOLING STATUS	E	D	C	B	A	POS

THIS DRAWING IS A CONTROLLED DOCUMENT.

DIMENSIONS: 単位: 耗 mm	TOLERANCES UNLESS OTHERWISE SPECIFIED: 一般公差	DWN	Tyco Electronics Corporation Kawasaki, Japan		
	0 PLC ± 0.3	CHK	NAME 名称		
	1 PLC ± 0.3	APVD	PRODUCT SPEC 製品規格		
	2 PLC ± 0.3	PRODUCT SPEC	APPLICATION SPEC 取付適用規格		
	3 PLC ± 0.3	APPLICATION SPEC	SIZE	CAGE CODE	DRAWING NO
	4 PLC ± 0.3	WEIGHT	A3	00779	G-5353184
	ANGLES ± 3'	CUSTOMER DRAWING	RESTRICTED TO		
MATERIAL 材料	FINISH 仕上	SCALE 尺度 4:1			SHEET 2 OF 3
		REV B			

THIS DRAWING IS UNPUBLISHED. RELEASED FOR PUBLICATION FEB , 1995.  
 © COPYRIGHT 1995 BY TYCO ELECTRONICS CORPORATION. ALL RIGHTS RESERVED.

LOC		DIST		REVISIONS			DATE	DWN	APVD
J		/		変更					
P	LTR	DESCRIPTION			DATE	DWN	APVD		
	-	SEE SHEET 1			-	-	-		



- ① MATERIAL : HOUSING : HIGH TEMP THERMO PLASTIC, UL94V-0  
CONTACT : COPPER ALLOY
- ② FINISH : UNDER PL Ni 0.0013mm MIN ALL OVER.  
CONTACT AREA: 0.0002mm MIN Au PL.  
SOLDERING AREA: 0.001mm MIN TIN PL.
- ③ THIS POSITION IS GROUND CIRCUIT.
- ④ THIS PRODUCT WAS COATED BY FLUX-PENETRATION  
-INHIBITING AGENT.
- ⑤ FINISH : UNDER PL Ni 0.0013mm MIN ALL OVER.  
CONTACT AREA: 0.00076mm MIN Au PL.  
SOLDERING AREA: 0.001mm MIN TIN PL.

PROJ NO.695-013

THIS DRAWING IS A CONTROLLED DOCUMENT.		DWN		Tyco Electronics Corporation	
DIMENSIONS: 単位: 耗 mm		CHK		Kawasaki, Japan	
TOLERANCES UNLESS OTHERWISE SPECIFIED: 一般公差		APVD		NAME 名称	
0 PLC ± 0.3		PRODUCT SPEC 製品規格		EMBOSS ASSY	
1 PLC ± 0.3		APPLICATION SPEC 取付適用規格		FH 0.6BTB CONNECTOR	
2 PLC ± 0.3		WEIGHT		PLUG 4H WITH G-PLATE	
3 PLC ± 0.3		SIZE		DRAWING NO	
4 PLC ± 0.3		CAGE CODE		番号	
ANGLES ± 3'		A3		G-5353184	
MATERIAL 材料		CUSTOMER DRAWING		RESTRICTED TO	
FINISH 仕上		SCALE 尺度 3:1		SHEET 3 OF 3	
				REV B	